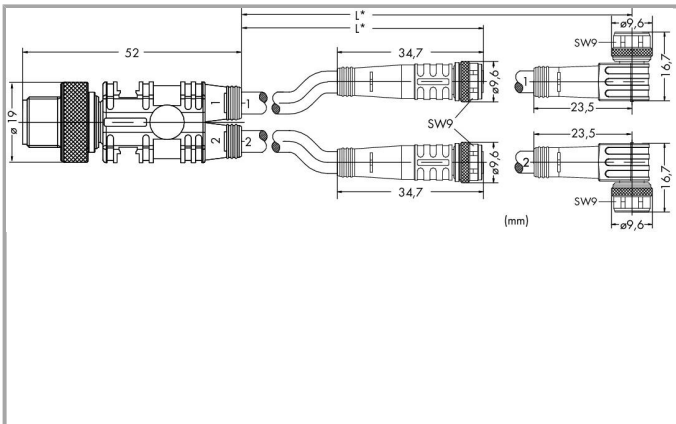
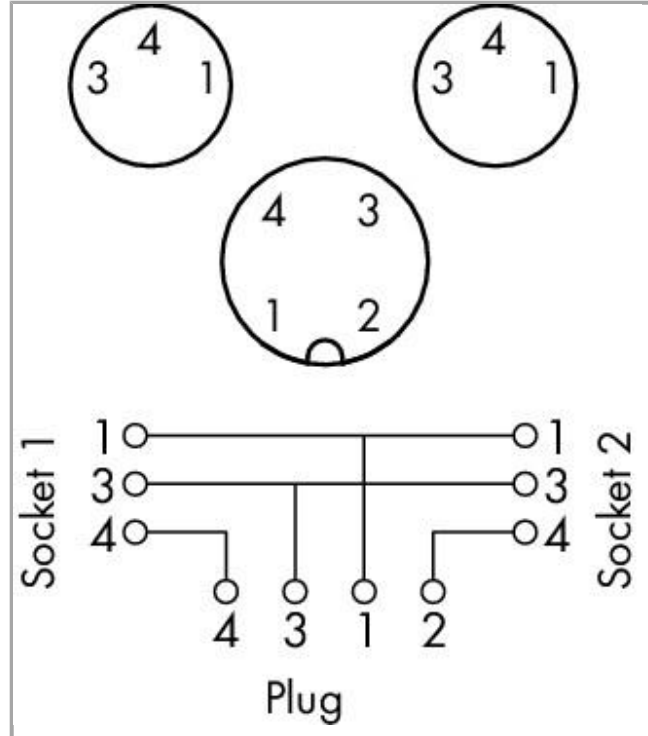


Data sheet | Item number: 756-5513/040-010

Sensor/actuator distribution cable; fitted on both ends; 4-pole; 2 x M8 socket, straight; M12 plug, straight; 1 m



756-5513/040-010



Pin 1 - 4: 0.34 mm<sup>2</sup>

Item description

**Short description:**

- PUR, halogen-free
- Suitable for drag chains
- Good resistance to microbes, hydrolysis, oil, chemicals and UV radiation.
- Good chemical resistance.
- Cable used: UL listed

**Data****Technical Data**

Connection type	M8 socket; M8 socket - M12 plug
No. of poles	4
Leitungsanschlussrichtung zur Steckrichtung	0°
Leitungsanschlussrichtung zur Steckrichtung (2)	0°
Steckgesichtskodierung Leitung/Adapter 2 1	A coded
Cable length	1 m
Operating voltage	AC/DC 60 V
Operating current	4 A
Rated surge voltage	1,5 kV

**Mechanical data**

Bending cycles	2 Mio.
Schleppkettentauglichkeit	yes
Color of sheathed cable	black
Durchmesser der Mantelleitung	3.9 ... 4.3 mm
Sheath material	Polyurethane (OPUR), halogen-free per DIN VDE 0472 Part 815, flame resistant per IEC 332-2, self-extinguishing
Halogen-free	Yes
Housing material	Polyurethan (PUR)
Contact material	CuSn
Contact plating	CuNi/Au
Tightening torque	0.6 ... 1 Nm
Weight	77.49 g

**Environmental Requirements**

Umgebungstemperatur (Betrieb) bewegt	-25 ... +90 °C
Umgebungstemperatur (Betrieb) ruhend	-50 ... +90 °C
Protection class	IP67
Degree of pollution (5)	3 acc. to VDE 0110



**Commercial data**

Country of origin	DE
GTIN	4044918994811
Customs Tariff No.	85444290900

**Downloads**

**Documentation**

**System Description**

IP67 Cables and Pluggable Connectors	pdf 293.9 kB	Download
--------------------------------------	-----------------	----------

Subject to changes.